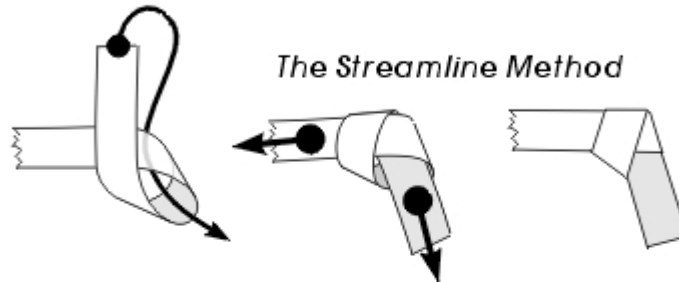


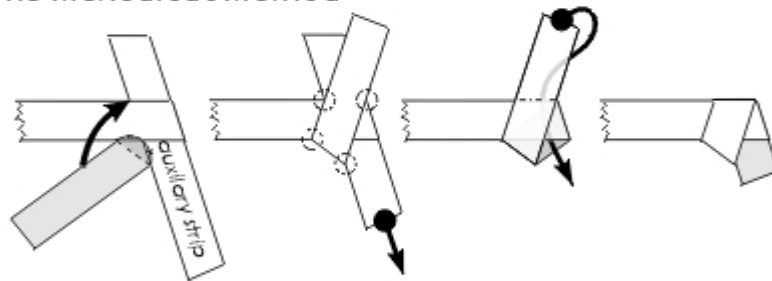
KNOTOLOGY

by Heinz Strobl, Knotologist

Two methods to fold a Pentagonal Knot



The Meticulous Method



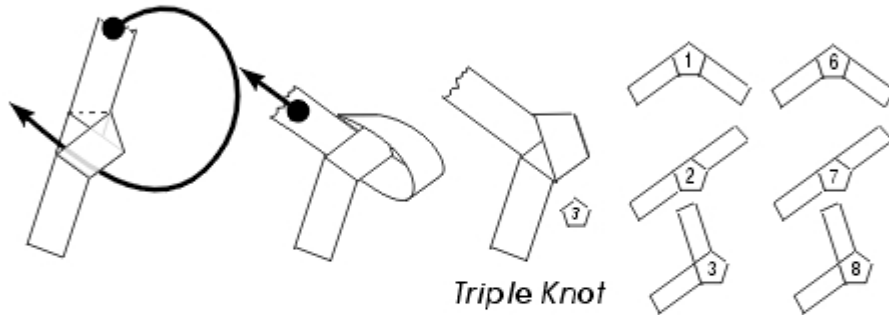
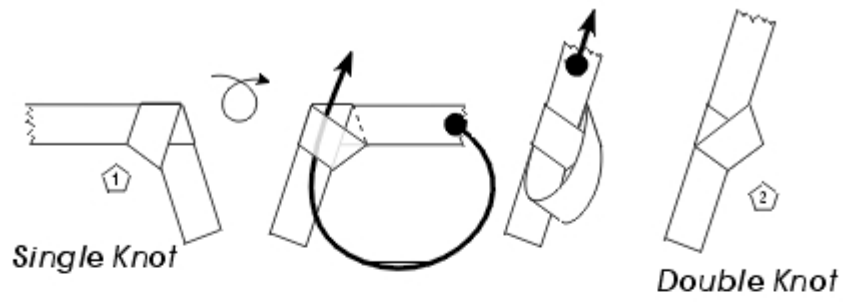
knot



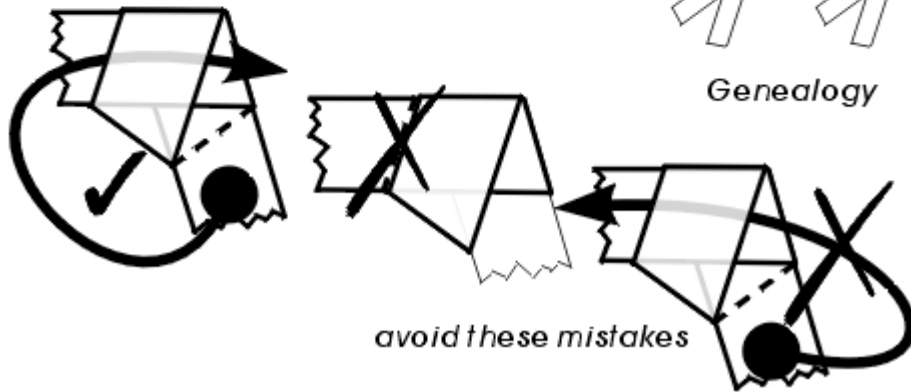
and not knots:



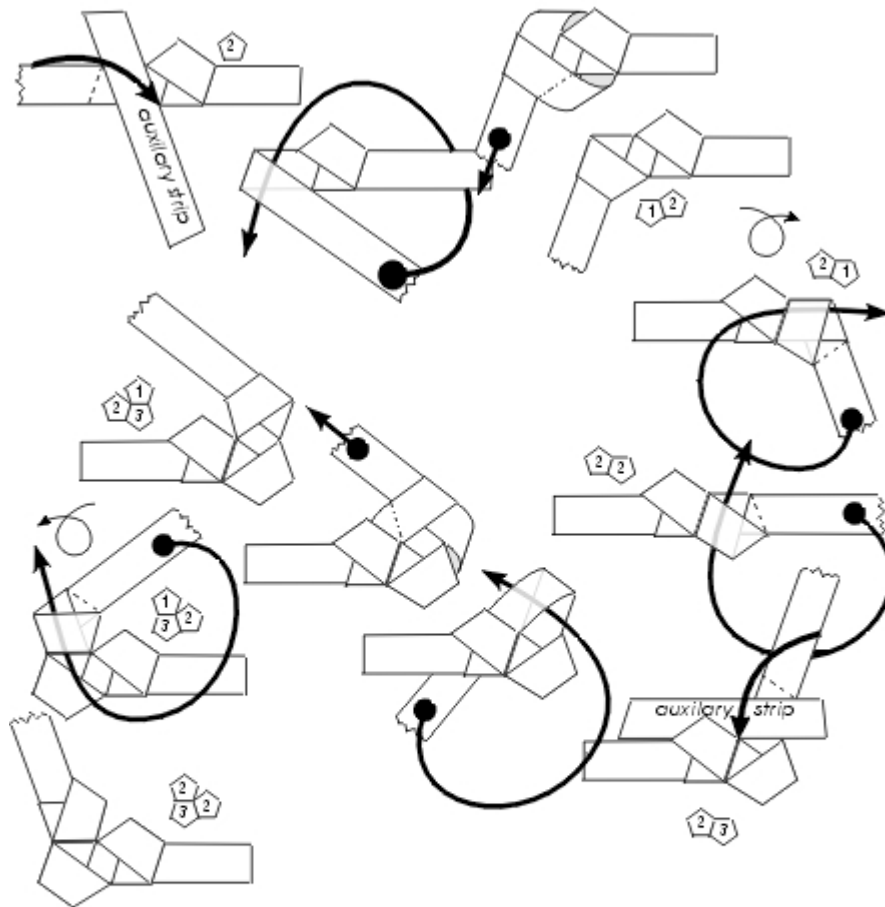
The Multiknots



add each knot layer this way



Pentagons with common edges



Star Module

$$\begin{matrix} \text{2} & + & \text{3} & + & \text{2} & + & \text{3} & + & \text{2} & + & \text{3} & + & \text{2} & + & \text{3} & + & \text{2} & + & \text{3} & + & \text{2} & + & \text{3} \\ \text{length of strip} & = & 100 \times \text{width} \end{matrix}$$



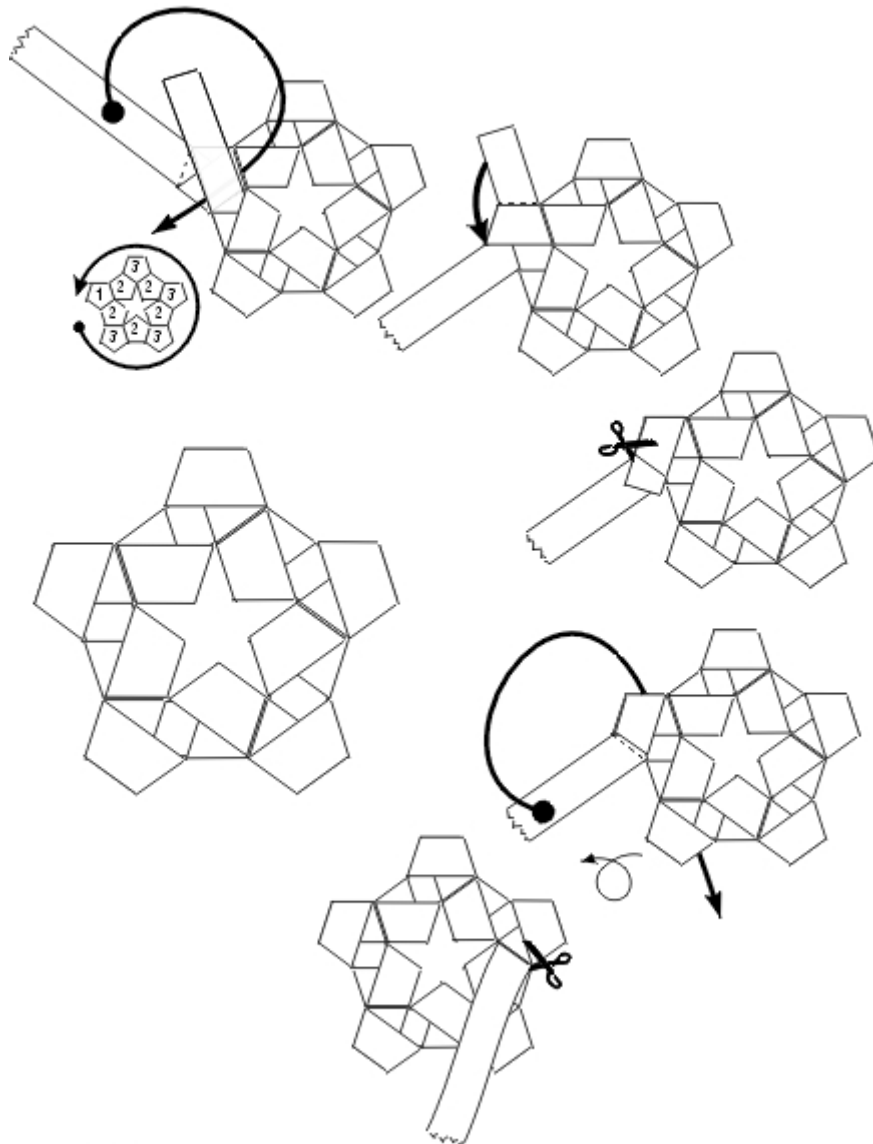
Ring Module

$$\begin{matrix} \text{2} & + & \text{1} & + & \text{2} & + & \text{1} & + & \text{2} & + & \text{1} & + & \text{2} & + & \text{1} & + & \text{2} & + & \text{1} & + & \text{2} & + & \text{1} \\ \text{length of strip} & = & 70 \times \text{width} \end{matrix}$$



Explore further modules by combining the knots of the genealogy by yourself

Locking of the Star Module

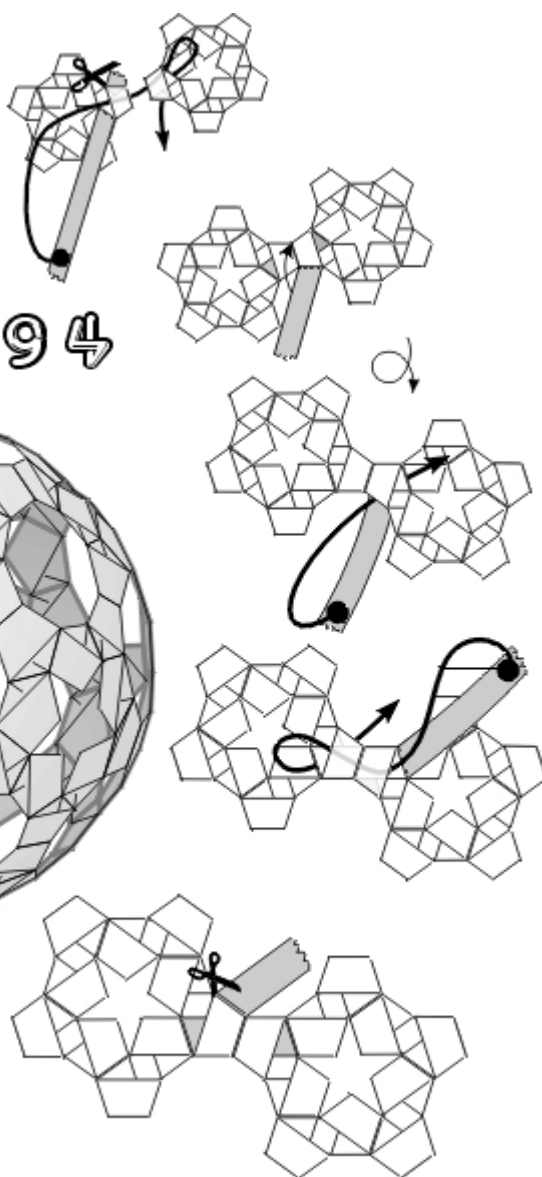
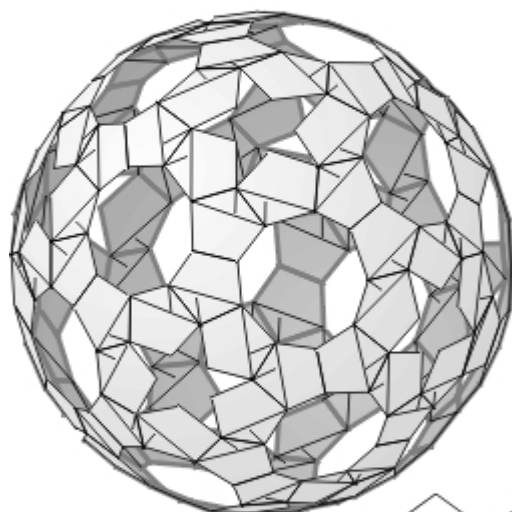


© Heinz Strobl

KNOTOLOGY 4+

Twelve Star
Modules sewn
together make the

SPHERE 94



©1995
Heinz Strobl
Knotologist



Pictures stolen from [this website](#)
By [AudioElf](#)